

DIESEL ENGINE-GENERATOR SET

500-XS6DT2

500 kWe / 60 Hz / Standby
208 - 600V



SYSTEM RATINGS

Standby

| Voltage (L-L) | 208V** | 240V** | 480V** | 600V** |
|-----------------|------------------|----------------|----------------|------------|
| Phase | 3 | 3 | 3 | 3 |
| PF | 0.8 | 0.8 | 0.8 | 0.8 |
| Hz | 60 | 60 | 60 | 60 |
| kW | 500 | 500 | 500 | 500 |
| kVA | 625 | 625 | 625 | 625 |
| AMPS | 1735 | 1504 | 752 | 601 |
| skVA@30% | | | | |
| Voltage Dip | 1470 | 1470 | 1280 | 1037 |
| Generator Model | 572RSL4029 | 572RSL4029 | 572RSL4027 | 572RSS4270 |
| Temp Rise | 130°C/27°C | 130°C/27°C | 130°C/27°C | 125°C/40°C |
| Connection | 12 LEAD HI DELTA | 12 LEAD HI WYE | 12 LEAD HI WYE | 6 LEAD WYE |

** UL2200 Offered

STANDARD FEATURES

- // EPA Tier 2 Certified
- // Engine-Generator Set Tested to ISO 8528-5 for Transient Response
- // UL2200, CSA Listing Offered
- // Accepts Rated Load in One Step Per NFPA 110
- // All engine-generator sets are prototype and factory tested
- // MTU Onsite Energy is a single source supplier
- // Global Product Support
- // 2 Year Standard Warranty
- // Series 60 (6063HK36) Diesel Engine
 - 14.0 Liter Displacement
 - Electronic Unit Pump Injection
 - 4-Cycle
- // Complete Range of Accessories
- // Permanent Magnet Generator (PMG)
 - Brushless, Rotating Field
 - 300% Short Circuit Capability
 - 2/3 Pitch Windings
 - Standard for 570 frame and larger
 - Optional for 430 frame and smaller
- // Digital Control Panel(s)
 - UL Recognized, cULus, NFPA 110
 - Complete System Metering
 - LCD Display
- // Cooling System
 - Integral Set-Mounted
 - Engine Driven Fan

STANDARD EQUIPMENT

Engine

Air Cleaner
 Oil Pump
 Full Flow Oil Filter
 Jacket Water Pump
 Closed Crankcase Ventilation
 Thermostats
 Exhaust Manifold – Dry
 Blower Fan & Fan Drive
 Radiator - Unit Mounted
 Electric Starting Motor - 24V
 Governor – Electronic Isochronous
 Base - Formed Steel
 SAE Flywheel & Bell Housing
 Charging Alternator - 24V
 Battery Box & Cables
 Flexible Fuel Connectors
 Flexible Exhaust Connection
 EPA Certified Engine

Generator

NEMA MG1, IEEE and ANSI standards compliance for temperature rise and motor starting
 Sustained short circuit current of up to 300% of the rated current for up to 10 seconds
 Self-Ventilated and Drip-Proof
 Superior Voltage Waveform
 Digital, Solid State, Volts-per-Hertz Regulator
 No Load to Full Load Regulation
 Brushless Alternator with Brushless Pilot Exciter
 4 Pole, Rotating Field
 130°C Standby Temperature Rise
 1 Bearing, Sealed
 Flexible Coupling
 Full Amortisseur Windings
 125% Rotor Balancing
 3-Phase Voltage Sensing
 ±0.25% Voltage Regulation
 100% of Rated Load - One Step
 3% Maximum Harmonic Content

Digital Control Panel(s)

Digital Metering
 Engine Parameters
 Generator Protection Functions
 Engine Protection
 SAE J1939 Engine ECU Communications
 Windows-Based Software
 Multilingual Capability
 Remote Communications to our RDP-110 Remote Annunciator
 16 Programmable Contact Inputs
 7 Contact Outputs
 UL Recognized, cULus, CE Approved
 Event Recording
 IP 54 Front Panel Rating with Integrated Gasket
 NFPA110 Level Compatible

Additional Features

Oil Drain Extension & S/O Valve
 Flexible Fuel Connector
 Battery Cables
 Vibration Isolation Pads
 Jacket Water Heater: -20° F
 Mainline Circuit Breaker
 UL2200 Listed
 Steel Sub-Base
 Radiator Duct Flange (OPU)
 Lube Oil & Antifreeze
 Operator's and Owner's Manual
 2 Year/3000 Hour Warranty
 Factory Tested at 0.8 PF (3 PH)

Optional Features

Battery Charger: 6 Amp or 10 Amp
 Battery: 24 Volt w/ Rack
 Circuit Breaker: Standard or 100%
 Muffler (OPU only)
 Sub-Base Fuel Tank w/ Electrical Stub-Up Area
 Weatherproof Enclosure
 Sound Attenuation
 - 1 1/2" Foam
 - Sound Scoops
 Remote Annunciator
 Isochronous Governor

APPLICATION DATA

// Engine

| | |
|------------------------------------|----------------------|
| Manufacturer | Detroit Diesel |
| Model | Series 60 (6063HK36) |
| Type | 4-Cycle |
| Arrangement | 6-Inline |
| Displacement: L (in ³) | 14 (855) |
| Bore: cm (in) | 13.3 (5.24) |
| Stroke: cm (in) | 16.8 (6.61) |
| Compression Ratio | 15:1 |
| Rated RPM | 1,800 |
| Engine Governor | DDEC |
| Maximum Power: Standby: kWm (bhp) | 567 (760) |
| Speed Regulation | ±0.25% |
| Air Cleaner | Dry |

// Liquid Capacity (Lubrication)

| | |
|---------------------------------------|----------|
| Total Oil System: L (gal) | 36 (9.5) |
| Engine Jacket Water Capacity: L (gal) | 23 (6) |
| System Coolant Capacity: L (gal) | 102 (27) |

// Electrical

| | |
|--|-----|
| Electric Volts DC | 24 |
| Cold Cranking Amps Under -17.8°C (0°F) | 950 |

// Fuel System

| | |
|--------------------------------|-------------|
| Fuel Supply Connection Size | 3/4" NPT |
| Fuel Return Connection Size | 1/2" NPT |
| Maximum Fuel Lift: m (ft) | 2.1 (7) |
| Recommended Fuel | Diesel #2 |
| Total Fuel Flow: L/hr (gal/hr) | 399 (105.3) |

// Fuel Consumption

| | |
|--|--------------|
| At 100% of Power Rating: L/hr (gal/hr) | 134.8 (35.6) |
| At 75% of Power Rating: L/hr (gal/hr) | 101.4 (26.8) |
| At 50% of Power Rating: L/hr (gal/hr) | 70.8 (18.7) |

// Cooling - Radiator System

| | |
|--|-------------|
| Ambient Capacity of Radiator: °C (°F) | 50 (122) |
| Maximum Restriction of Cooling Air, Intake, and Discharge Side of Rad.: kPa (in. H ₂ O) | 0.12 (0.5) |
| Water Pump Capacity: L/min (gpm) | 420 (111) |
| Heat Rejection to Coolant: kW (BTUM) | 170 (9,650) |
| Heat Radiated to Air to Air: kW (BTUM) | 144 (8,200) |
| Heat Radiated to Ambient: kW (BTUM) | 113 (6,421) |

// Air Requirements

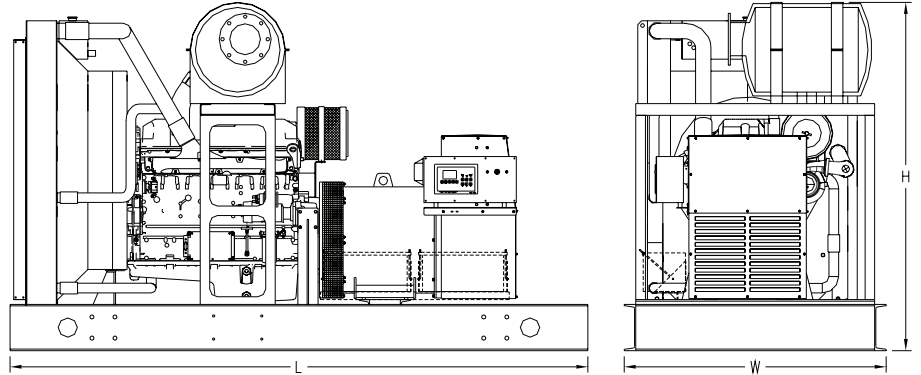
| | |
|--|--------------|
| Aspirating: *m ³ /min (SCFM) | 43 (1,514) |
| Air Flow Required for Rad. | |
| Cooled Unit: *m ³ /min (SCFM) | 733 (25,873) |
| Air Flow Required for Heat Exchanger/Remote Rad. based on 25°F Rise: *m ³ /min (SCFM) | 413 (14,482) |

* Air density = 1.184 kg/m³ (0.0739 lbm/ft³)

// Exhaust System

| | |
|---|-------------|
| Gas Temp. (Stack): °C (°F) | 554 (1,030) |
| Gas Volume at Stack Temp: m ³ /min (CFM) | 120 (4,227) |
| Maximum Allowable Back Pressure: kPa (in. H ₂ O) | 10.2 (40.8) |

WEIGHTS AND DIMENSIONS



Drawing above for illustration purposes only, based on standard open power 480 volt engine-generator set. Lengths may vary with other voltages. Do not use for installation design. See website for unit specific template drawings.

| System | Dimensions (L x W x H) | Height w/Tank 24hr. | Weight (less tank) |
|--------|--|---------------------|---------------------|
| OPU | 3,810 x 1,730 x 2,300 mm (150 x 68 x 90.5 in) | 3,010 mm (118.5 in) | 3,316 kg (7,311 lb) |
| EPU | 3,810 x 1,730 x 2,710 mm (150 x 68 x 106.5 in) | 3,420 mm (134.5 in) | 3,979 kg (8,773 lb) |

Weights and dimensions are based on open power units and are estimates only. Consult the factory for accurate weights and dimensions for your specific engine-generator set.

SOUND DATA

| Unit Type | Standby Full Load | Standby No Load |
|------------------------------------|-------------------|-----------------|
| OPU w/Critical Grade Muffler (dBA) | 98 | 90 |
| Sound Attenuated Enclosure (dBA) | 90 | 82 |

Sound data is provided at 7 m (23 ft).

EMISSIONS DATA

| NO _x + NMH | CO | PM |
|-----------------------|------|------|
| 4.65 | 0.51 | 0.06 |

All units are in g/hp-hr and are EPA D2 cycle values.

Emission levels of the engine may vary as a function of ambient temperature, barometric pressure, humidity, fuel type and quality, installation parameters, measuring instrumentation, etc. The data provided are laboratory results from one engine representing this rating. The data was obtained under controlled environmental conditions with calibrated instrumentation traceable to the United States National Bureau of Standards and in compliance with US EPA regulations found within 40 CFR Part 89. The weighted cycle value from each engine is guaranteed to be below the US EPA Standards at the US EPA defined conditions.

RATING DEFINITIONS AND CONDITIONS

- // Standby ratings apply to installations served by a reliable utility source. The standby rating is applicable to varying loads for the duration of a power outage. No overload capability for this rating. Ratings are in accordance with ISO-3046/1, BS 5514, AS 2789, and DIN 6271.
- // Prime power ratings apply to installations where utility power is unavailable or unreliable. At varying load, the number of generator set operating hours is unlimited. A 10% overload capacity is available for one hour in twelve. Ratings are in accordance with ISO-8528/1, overload power in accordance with ISO-3046/1, BS 5514, AS 2789, and DIN 6271. For limited running time and base load ratings, consult the factory.
- // Deration Factor:
 - Altitude:** 1% per 305 m (1,000 ft) above 183 m (600 ft). Consult your local MTU Onsite Energy Power Generation Distributor for other altitudes.
 - Temperature:** 1% per 5.5°C (10°F) above 25°C (77°F).

Materials and specifications subject to change without notice.

C/F = Consult Factory/MTU Onsite Energy Distributor