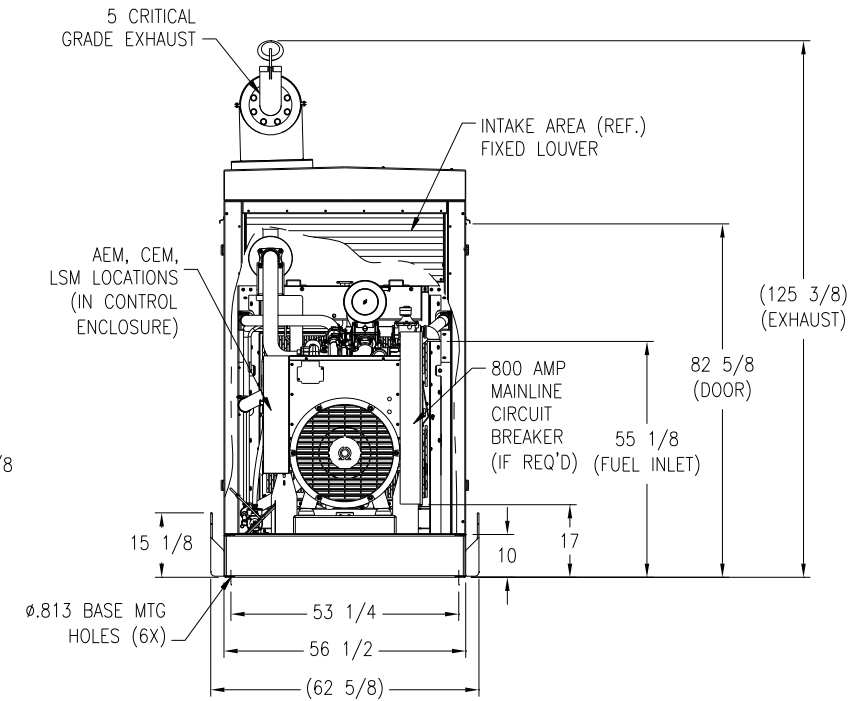
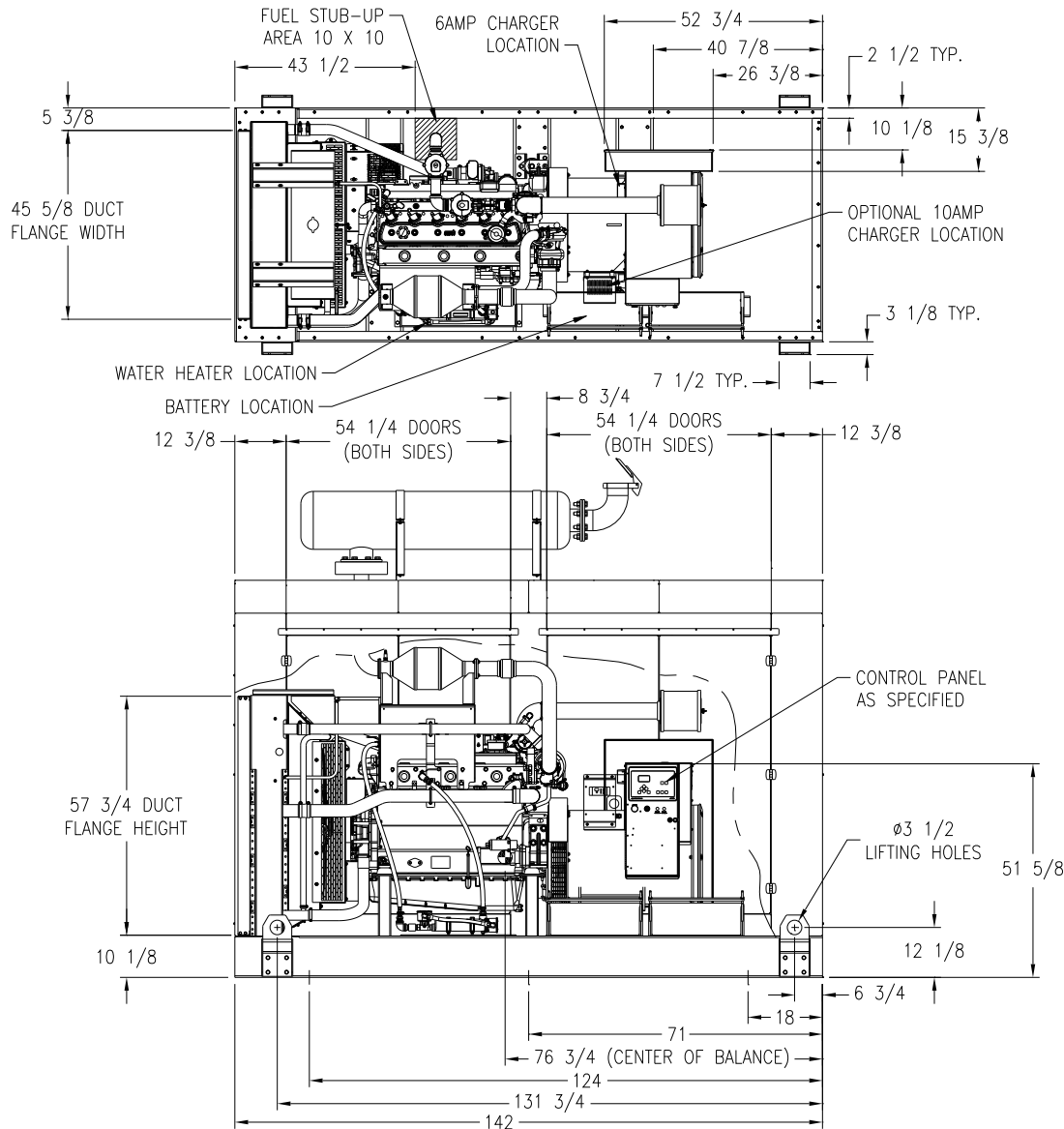


DWG. #: GS200N6SPA(11.1L)L2-MI

NOTES:

1. HOUSING AND EXHAUST ARE NOT SHOWN IN TOP VIEW
2. HOUSING IS SOUND ATTENUATED WITH FOAM
3. APPROX. UNIT WEIGHTS: DRY: #8370 WET: 8770#



DRAWING TOLERANCES: ±1/4"  
EXCEPT BASE MTG. HOLES: ±1/8"

GEN-SET INFORMATION

ENGINE: DOOSAN 11.1L  
GENERATOR: 432 PSL  
RADIATOR: W/ENGINE  
RADIATOR AMBIENT: NA  
DUCT FLANGE: PH104019  
CONTROL PANEL: DGC-2020  
BASE: PH103999

ENCLOSURE: PH104103  
BREAKER: 800 AMP  
TANK: NA  
MUFFLER: 5 CRITICAL  
TRAILER: NA  
ISOLATORS: PADS

DIMENSIONAL LAYOUT

DRAWN TO SCALE  
ALL DIMENSIONS ARE IN INCHES  
MODEL: GS200N6SPA  
DATE: 06-04-10  
DRAWN BY: JDC

DWG. #: GS200N6SPA(11.1L)L2-MI



THIS DRAWING IS PROPERTY OF MTU ONSITE ENERGY CORPORATION AND CANNOT BE USED EXCEPT IN CONNECTION WITH MTU ONSITE ENERGY CORPORATION POWER GENERATION PROJECTS. ANY THIRD PARTY MODIFICATION MAY VOID THIS DRAWING. MTU ONSITE ENERGY CORPORATION RESERVES ALL RIGHTS OF THIS DRAWING.

REVISION	DATE	REVISION DESCRIPTION	INITIALS
A	06-04-10	INITIAL RELEASE TO SALES AND ENGINEERING	JDC