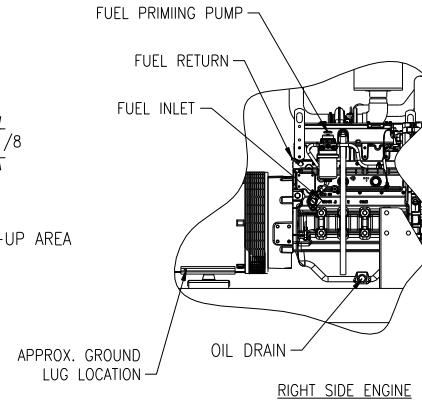
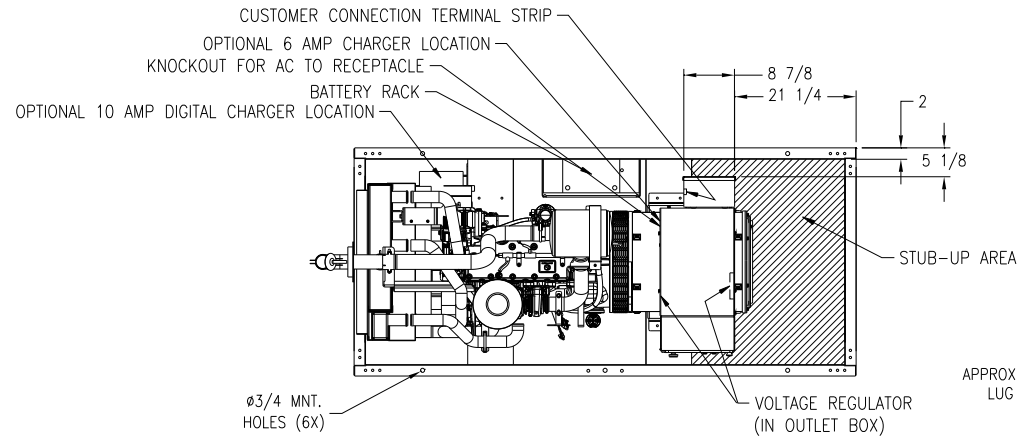
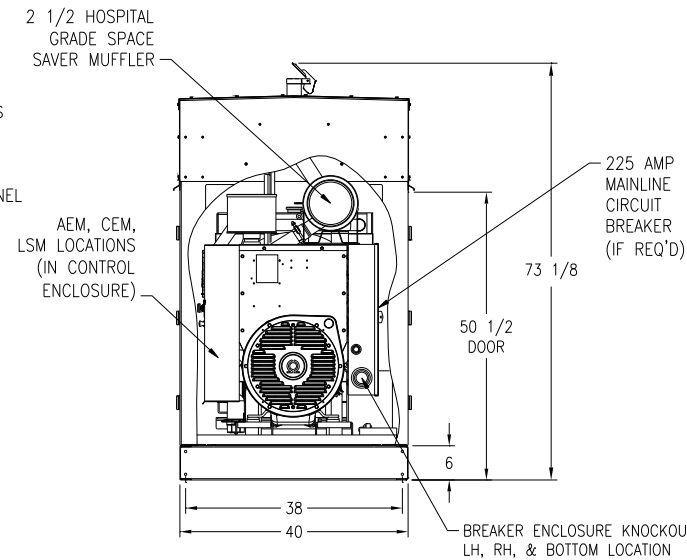
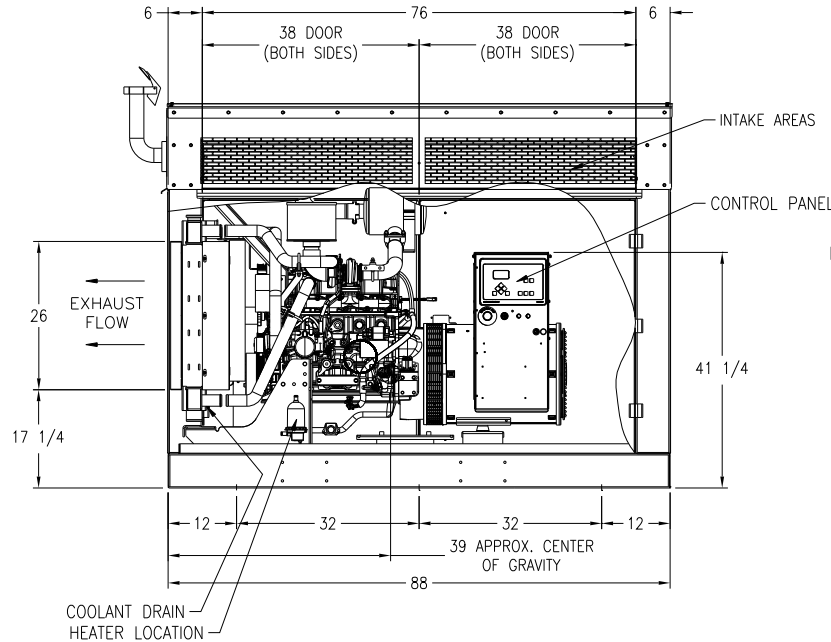


DWG. #: DS60D6SPA(5030HF)L2-MD



NOTES:

1. SUB-BASE FUEL TANK INFORMATION:
OVERALL HEIGHT OF UNIT WILL INCREASE WITH USE OF OPTIONAL SUB-BASE FUEL TANK. REFERENCE SALES CATALOG FOR TANK HEIGHT AND GALLON CAPACITY INFORMATION.
2. FUEL SYSTEM CONNECTIONS:
(FOR UNITS WITHOUT SUB-BASE FUEL TANKS)
INLET: 3/8 NPT OUTLET: 3/8 NPT
3. HOUSING NOT SHOWN ON TOP VIEW
4. HOUSING IS SOUND ATTENUATED WITH FOAM
5. APPROX. UNIT WEIGHTS: DRY: 2750# WET: 2850#



DRAWING TOLERANCES: ±1/4"
EXCEPT BASE MTG. HOLES: ±1/8"

GEN-SET INFORMATION

| | |
|--------------------------|--------------------------|
| ENGINE: 5030HF285 | ENCLOSURE: PH103683 |
| GENERATOR: 361 CSL | BREAKER: 225 AMP |
| RADIATOR: 86880(DR-2853) | TANK: NA |
| RADIATOR AMBIENT: 50C | MUFFLER: 2 1/2 SP. SAVER |
| DUCT FLANGE: - | TRAILER: NA |
| CONTROL PANEL: DGC-2020 | ISOLATORS: PADS |
| BASE: PH103681 | |

DIMENSIONAL LAYOUT

| | |
|--|------------------|
| DRAWN TO SCALE ALL DIMENSIONS ARE IN INCHES | MODEL: DS60D6SPA |
| DATE: 07-20-08 | DRAWN BY: JTG |
| DWG. #: DS60D6SPA(5030HF)L2-MD | |



THIS DRAWING IS PROPERTY OF MTW ONSITE ENERGY CORPORATION AND CANNOT BE USED EXCEPT IN CONNECTION WITH MTW ONSITE ENERGY CORPORATION POWER GENERATION PROJECTS. ANY THIRD PARTY MODIFICATION MAY VOID THIS DRAWING. MTW ONSITE ENERGY CORPORATION RESERVES ALL RIGHTS OF THIS DRAWING.

| REVISION | DATE | REVISION DESCRIPTION | INITIALS |
|----------|----------|--|----------|
| B | 1-12-10 | REMOVED FORK POCKETS | MTH |
| A | 07-20-09 | INITIAL RELEASE TO SALES AND ENGINEERING | JTG |