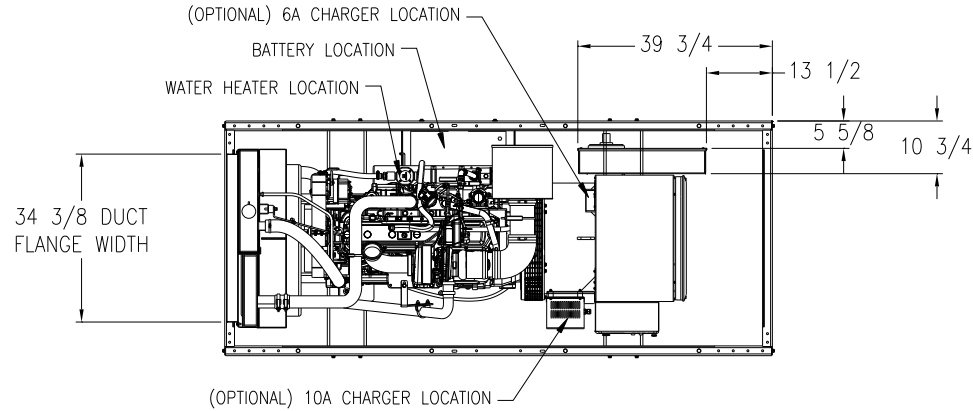
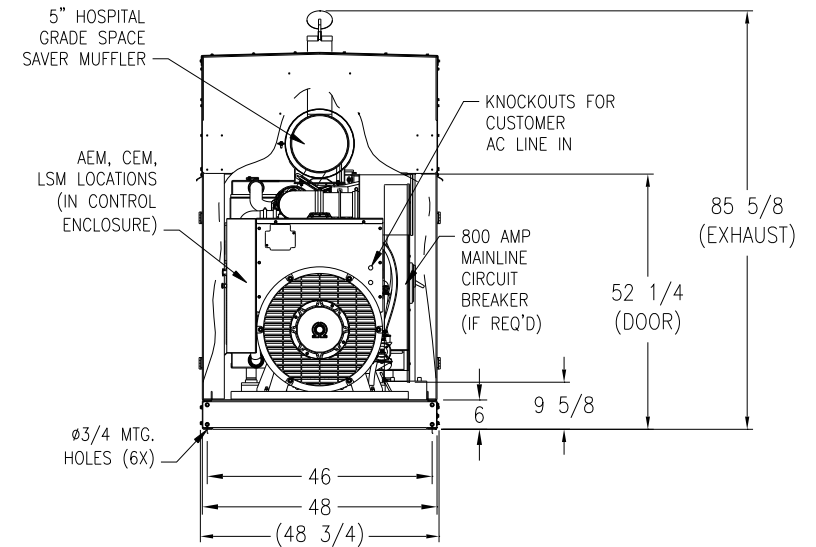
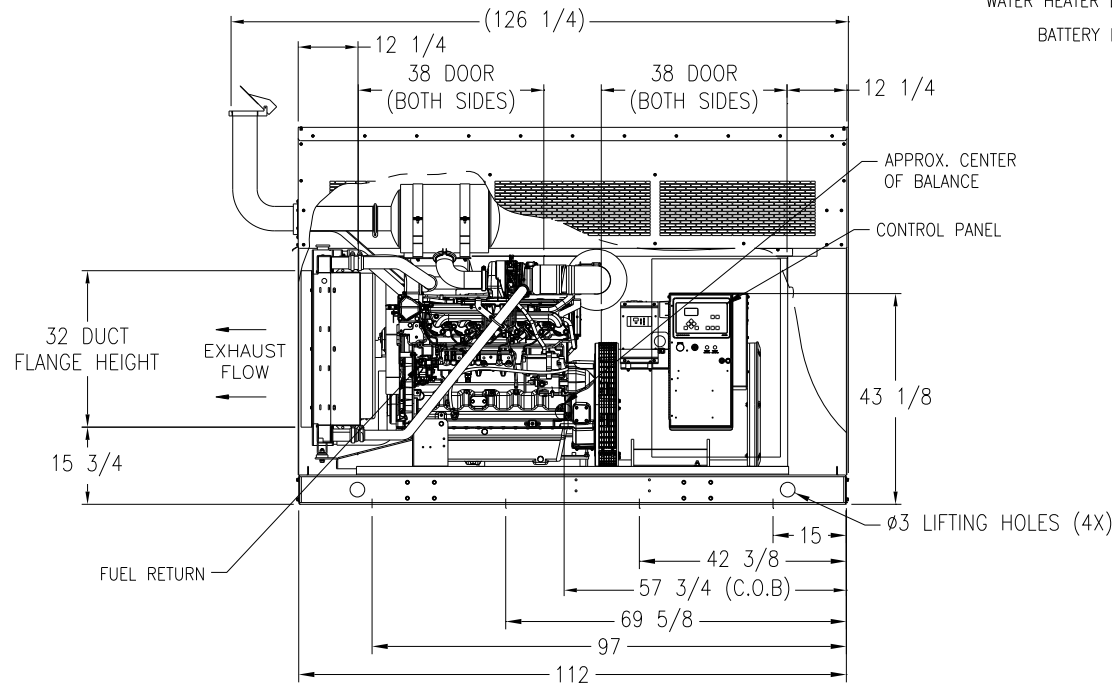
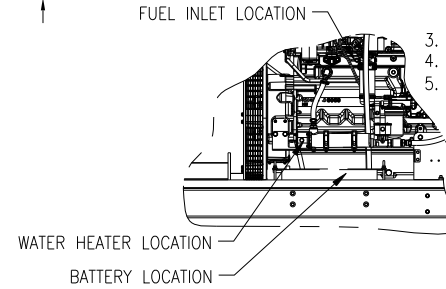


DWG. #: DS200D6SPA(6068HF)L2-MD



NOTES:

1. SUB-BASE FUEL TANK INFORMATION:
OVERALL HEIGHT OF UNIT WILL INCREASE WITH USE OF OPTIONAL SUB-BASE FUEL TANK. REFERENCE SALES CATALOG FOR TANK HEIGHT AND GALLON CAPACITY INFORMATION.
2. FUEL SYSTEM CONNECTIONS:
(FOR UNITS WITHOUT SUB-BASE FUEL TANKS)
INLET: 3/8 NPT OUTLET: 3/8 NPT
3. HOUSING AND EXHAUST NOT SHOWN IN TOP VIEW
4. HOUSING IS SOUND ATTENUATED WITH FOAM
5. APPROX UNIT WEIGHT: DRY: 5865# WET: 6000#



DRAWING TOLERANCES: ±1/4"
EXCEPT BASE MTG. HOLES: ±1/8"

REVISION	DATE	REVISION DESCRIPTION	INITIALS
A	5-14-10	INITIAL RELEASE TO SALES AND ENGINEERING	JDC



THIS DRAWING IS PROPERTY OF MTU ONSITE ENERGY CORPORATION AND CANNOT BE USED EXCEPT IN CONNECTION WITH MTU ONSITE ENERGY CORPORATION POWER GENERATION PROJECTS. ANY THIRD PARTY MODIFICATION MAY VOID THIS DRAWING. MTU ONSITE ENERGY CORPORATION RESERVES ALL RIGHTS OF THIS DRAWING.

GEN-SET INFORMATION

ENGINE: 6068HF485	ENCLOSURE: PH104208
GENERATOR: 431 CSL	BREAKER: 800 AMP
RADIATOR: 96334(DR-3347)	TANK: NA
RADIATOR AMBIENT: 50C	MUFFLER: 5 HOSPITAL
DUCT FLANGE: 96343	TRAILER: NA
CONTROL PANEL: DGC-2020	ISOLATORS: PADS
BASE: PH103971	

DIMENSIONAL LAYOUT

DRAWN TO SCALE ALL DIMENSIONS ARE IN INCHES	MODEL: DS200D6SPA
DATE: 5-14-10	DRAWN BY: JDC

DWG. #: DS200D6SPA(6068HF)L2-MD